

Hydrant drainage cover

**FIRE
 PREVENTION**

WATER



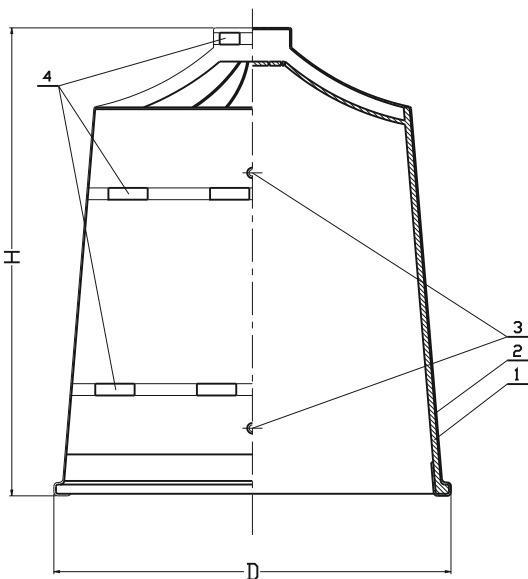
Product description (standard execution):

- Body made of plastic
- External protection - geotextile

Application:

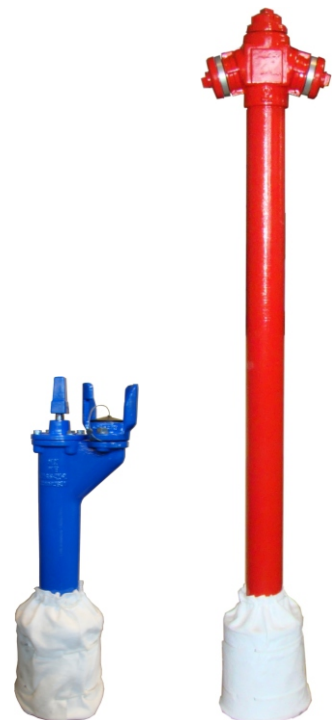
To prevent hydrant drainage against choking and ground outwashing around hydrant.

Assembling:



No.	Part	Standard execution
1	Cover body	PEHD EN ISO 1872-1
2	Geotextile	Polipropylene EN ISO 1873-1
3	Riser	Nylon
4	Band clip	Nylon

DN	H	D	Weight
	[mm]		[kg]
80	350	303	1
100	350	303	1



We reserve the rights to modify the production program and the given data without separate notices due to the permanent company development