

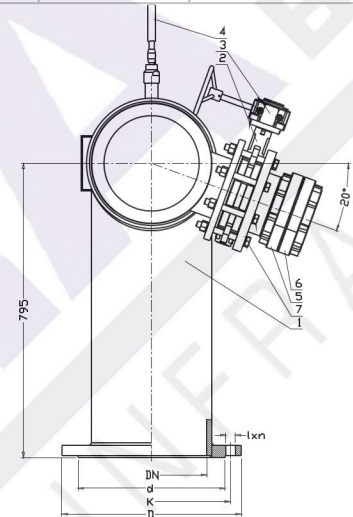
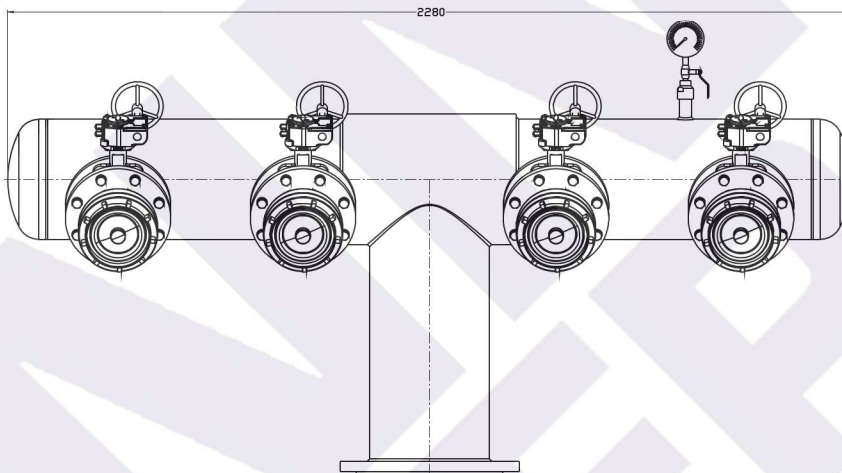
High efficiency collector

PN16

FIRE PREVENTION



No.	Part	Standard execution
1	Body	Stainless steel 1.4301 EN 10088-1 Steel P355 (1.0562) EN ISO 3183
2	Throttle	Producer catalogue 4497 GJS 400-15 EN 1563
3	Gear	Producer catalogue
4	Manometr	Producer catalogue
5	Outlet connector	Aluminium AISi EN 1706
6	Bonnet	Aluminium AISi EN 1706
7	Screw	Stainless steel A2 EN ISO 4017



DN	PN	L	H	d	D	K	I	n	Weight
[mm]	[bar]			[mm]				-	[kg]
300	25	2280	795	395	485	430	30	16	326

Product description (standard execution):

- Body made of stainless steel
- Corrosion resistant internal and external parts
- Stainless steel mounting screws
- Resistant against disinfectants (suggested solution NaOCl)
- Flange connection and connector according EN 1092-2 pressure PN 25
- **Outlet connector 4x150 6"**
- Working pressure PN16
- Product marking according EN 19, EN 1074

Application:

Potable water lines; fire prevention systems temperature range to +50°C

Testy control:

Water pressure test according to EN 1074-1, EN 1074-2, EN 12266-1
 Body: 1,5 x PN
 Seat: 1,1 x PN
 Operation torque test